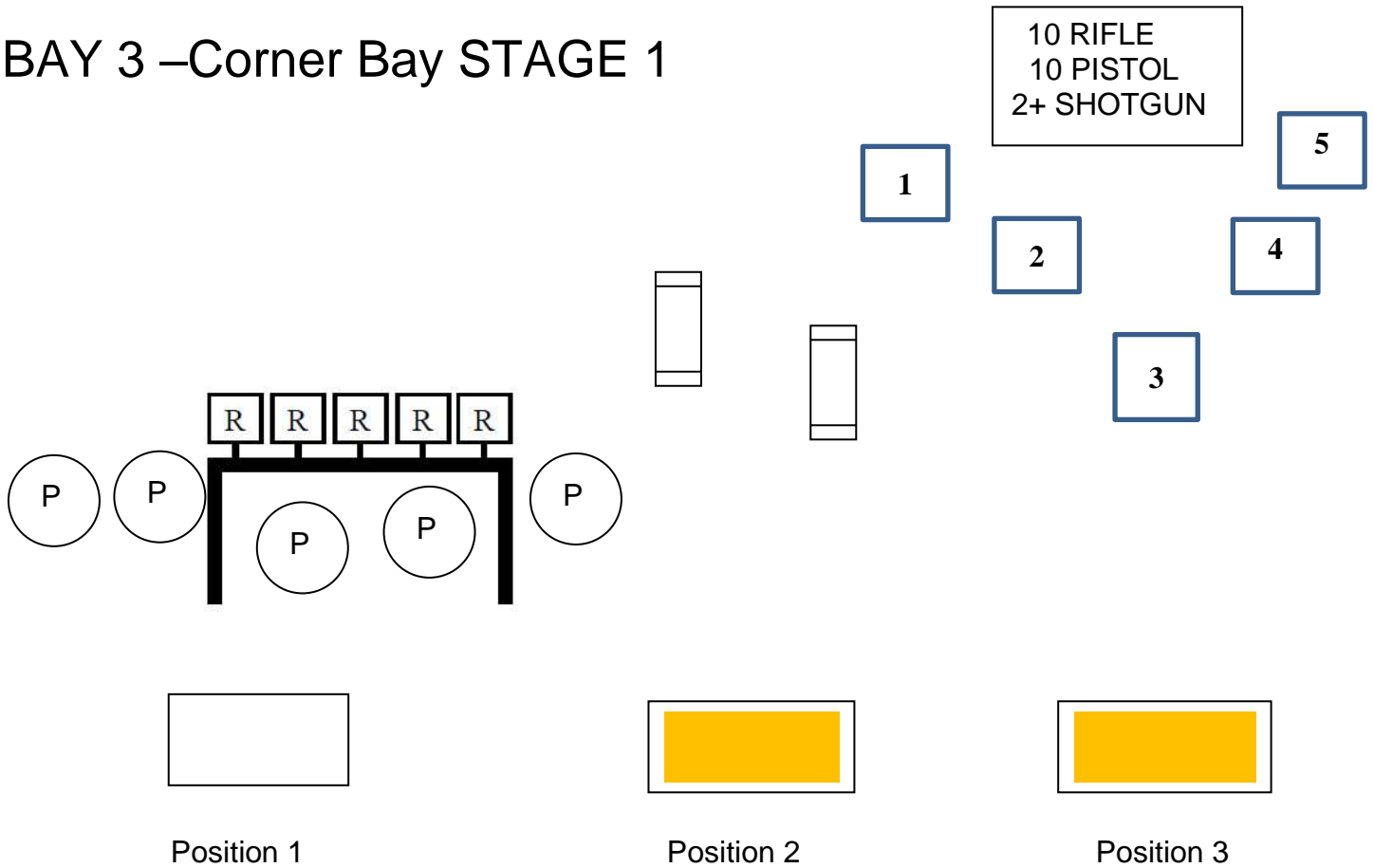


BAY 3 –Corner Bay STAGE 1

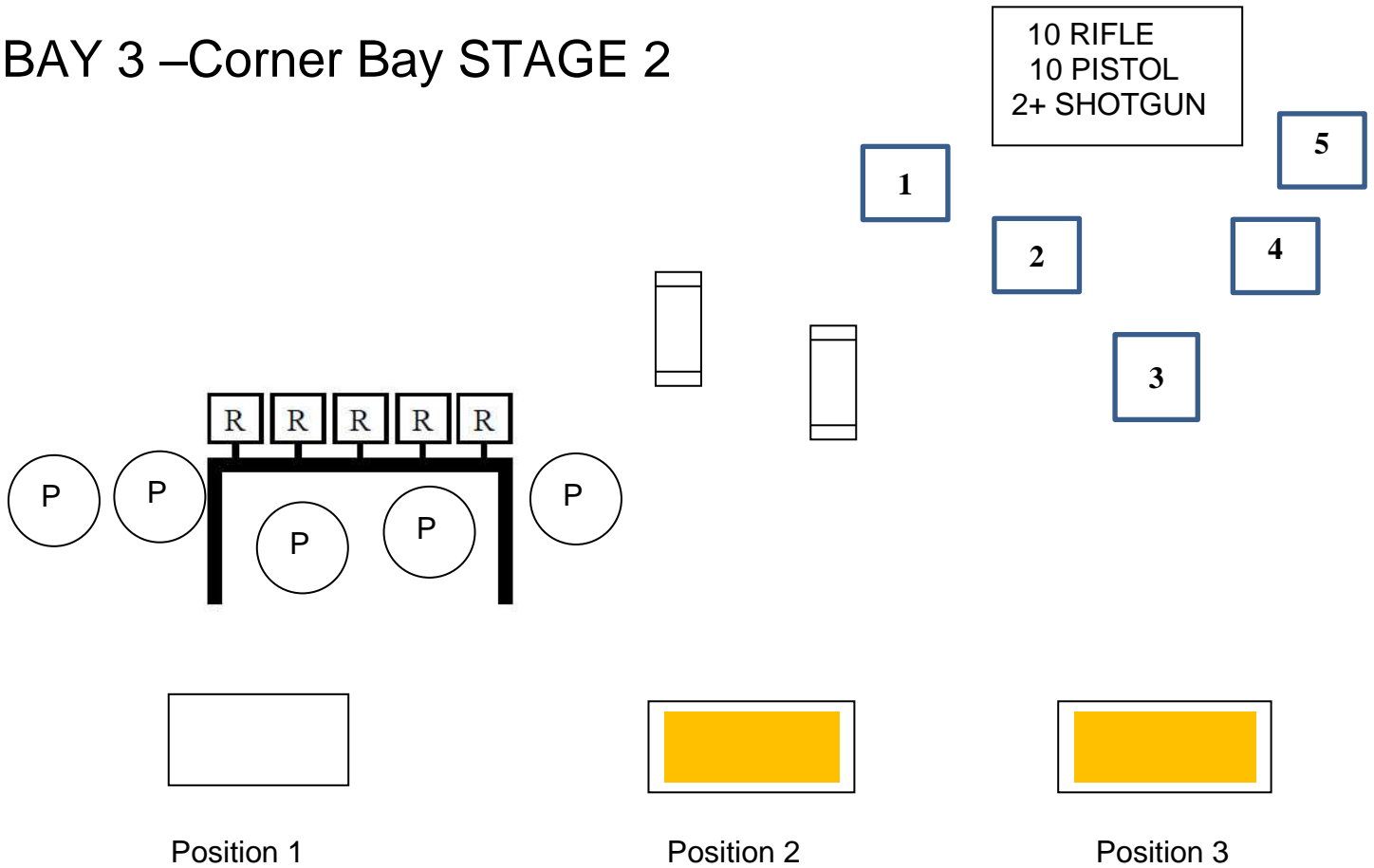


Start: At position 1 standing with one hand on a make believe bible and the other hand as taking an oath. Rifle loaded with 10 rounds and open, empty shotgun both staged anywhere safely. Two revolvers loaded with 5 rounds each, holstered..

At the buzzer, From POS 1 with revolvers engage the 5 black plates on the rack and the five “P” targets ***once each***. Targets may be shot in any order. .Move to Position 3 and with rifle engage the 5 rifle targets with 1 On 3, 2 on 2, 2 on 1, 1 on 3, 2 on 4, 2 on 5 . Move to Position 2 and with shotgun engage the two “S” targets. THEN make up any standing plates with the shotgun by engaging the rifle target 1 once for each plate standing.

NOTE: Any knockdown plates left standing and not made up will be counted as misses.

BAY 3 –Corner Bay STAGE 2



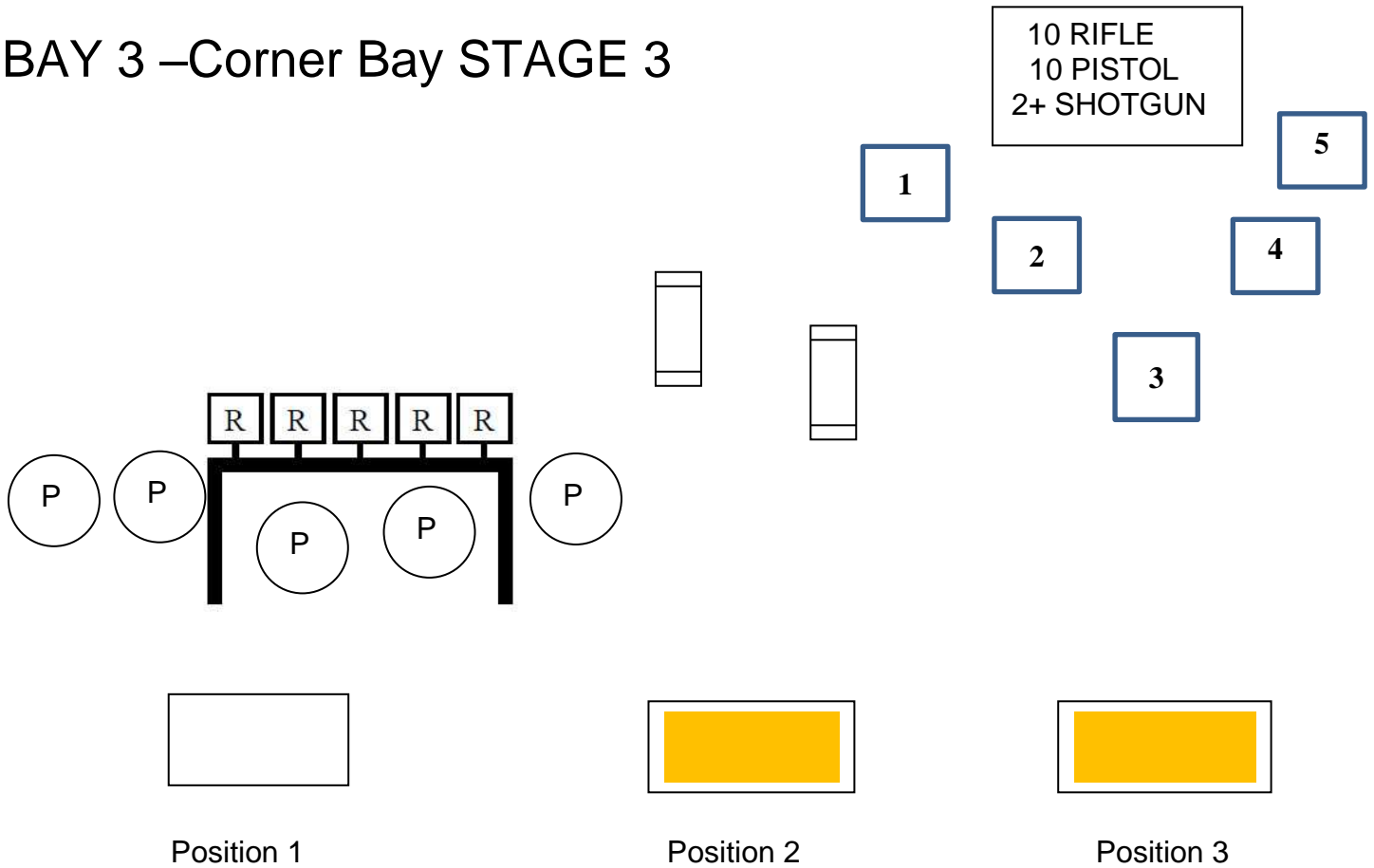
Start: At position 3 with rifle in hand Rifle loaded with 10 rounds, open, empty shotgun staged anywhere safely. Two revolvers loaded with 5 rounds each, holstered..

At the buzzer, From Position 3 with rifle engage the 5 rifle targets with a double tap sweep from either end.

Move to Position 2 and with shotgun engage the two “S” targets.

Move to Position 1 and with revolvers engage the 6 plates on the rack until down and then any remaining rounds on any “P” target. Misses on the P target(s) and any plates left standing are misses.

BAY 3 –Corner Bay STAGE 3



Start: At position 3 with rifle in hand Rifle loaded with 10 rounds, open, empty shotgun staged anywhere safely. Two revolvers loaded with 5 rounds each, holstered..

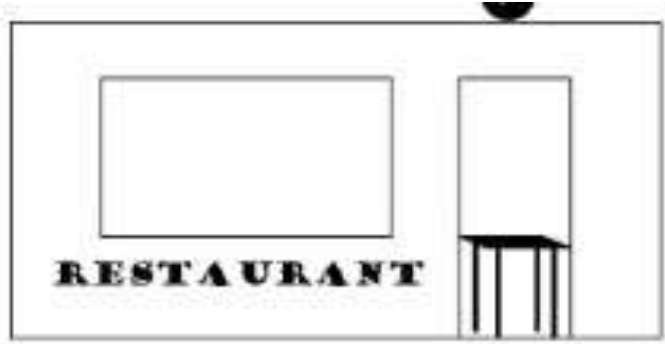
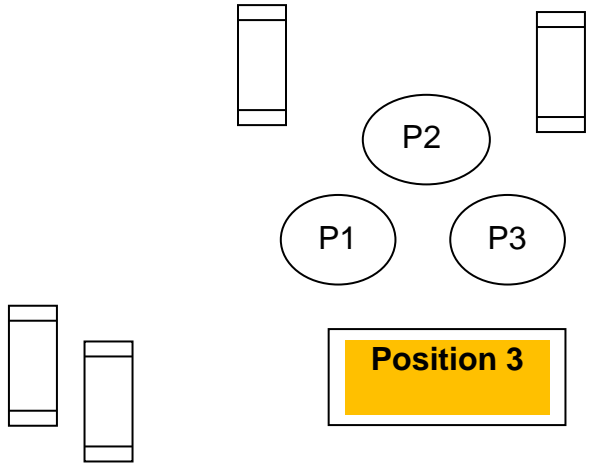
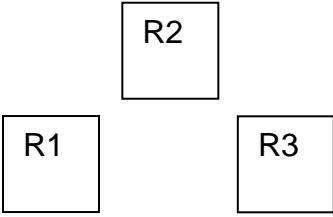
At the buzzer, From Position 3 with rifle engage the 5 rifle targets with a continuous Nevada sweep from either end.

Move to Position 2 and with shotgun engage the two “S” targets.

Move to Position 1 and with revolvers engage the 5 P targets targets with a continuous Nevada sweep from either end.

BAY 5 -STAGE 4 -Restaurant

10 RIFLE
10 PISTOL
4+ SHOTGUN



Position 1

Position 2

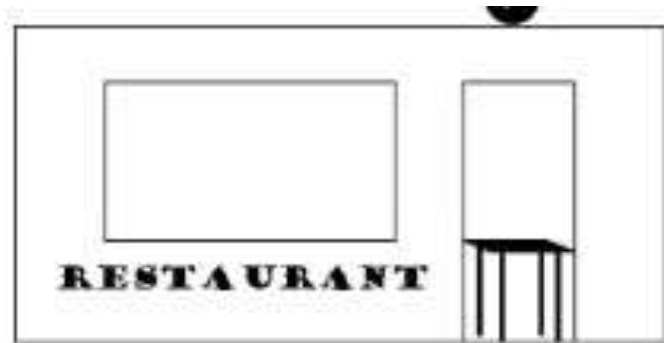
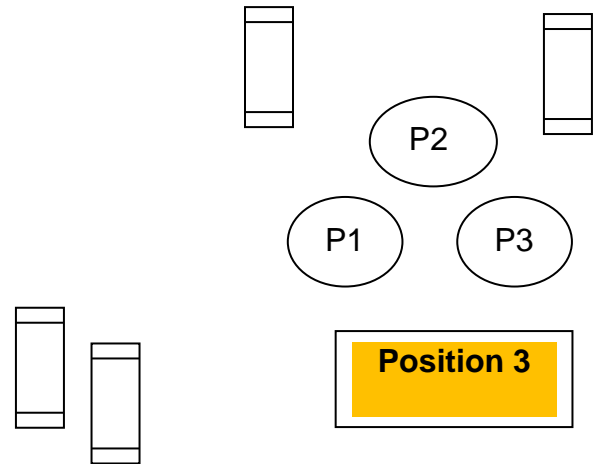
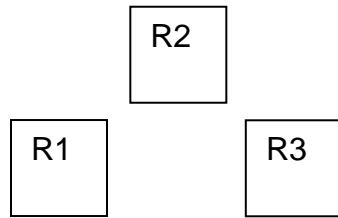
Start: Shooter standing at position 1 with hands on hat (or head). Rifle loaded with 10 rounds and open empty shotgun staged anywhere safely except at position 3. Pistols loaded with 5 rounds each holstered.

When ready say, **"Dying aren't no choice"** Wait for the buzzer

At the buzzer, With Rifle engage R1-R3 with a continuous Nevada sweep. Make Rifle safe **vertically**. From POS 2 with shotgun engage the two close "Shotgun" targets. Move downrange to POS 3 and engage 2 far shotgun targets, must go down. Then with revolvers engage P1-P3 as per the rifle instructions

BAY 5 -STAGE 5 -Restaurant

10 RIFLE
10 PISTOL
4+ SHOTGUN



Position 1

Position 2

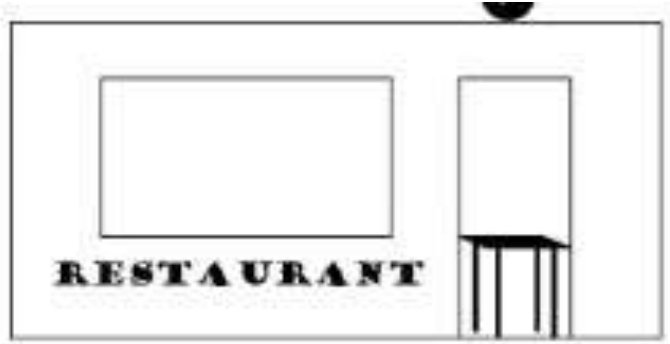
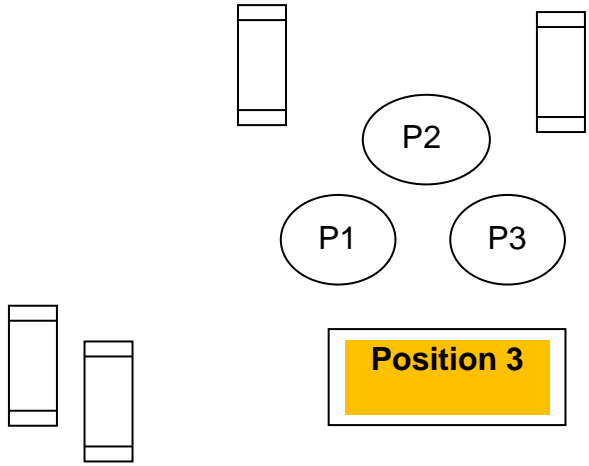
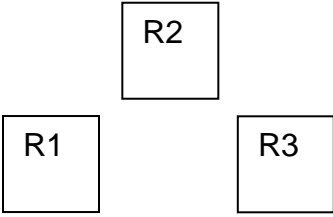
Start: Shooter standing at position 2 Rifle loaded with 10 rounds in hand. Open empty shotgun staged anywhere safely except at position 3. Pistols loaded with 5 rounds each holstered.

When ready say, **"Alive or dead – it's your choice"** Wait for the buzzer

At the buzzer, With Rifle engage R1-R3 at least three times each, any order. Make Rifle safe **vertically**. From POS 2 with shotgun engage the two close "Shotgun" targets. Move downrange to POS 3 and engage the far 2 shotgun targets, must go down. Then with revolvers engage P1-P3 as per the rifle instructions

BAY 5 -STAGE 6 -Restaurant

10 RIFLE
10 PISTOL
4+ SHOTGUN



Position 1

Position 2

Start: Shooter standing at position 2 Rifle loaded with 10 rounds in hand. Open empty shotgun staged anywhere safely except at position 3. Pistols loaded with 5 rounds each holstered.

When ready say, **"Let's geter done"** Wait for the buzzer

At the buzzer, With Rifle engage R1-R2-R2-R3-R2-R2-R1-R2-R2-R3. Make Rifle safe **vertically**. From POS 2 with shotgun engage the two close "Shotgun" targets. Move downrange to POS 3 and engage the far 2 shotgun targets, must go down. Then with revolvers engage P1-P3 as per the rifle instructions